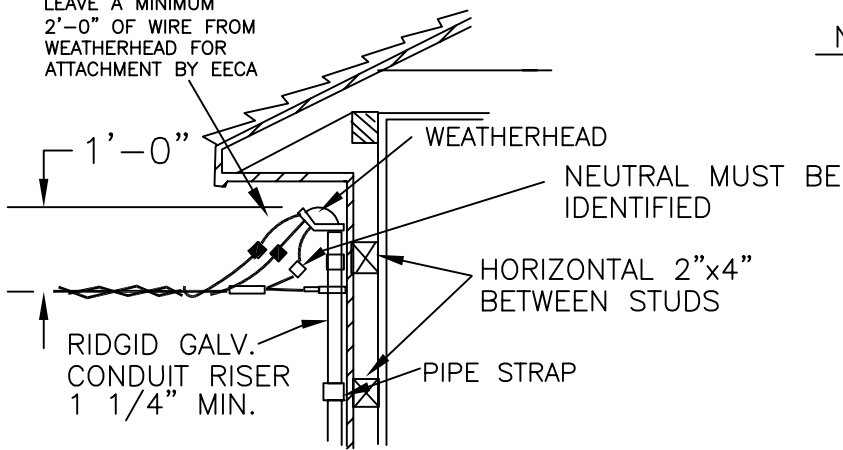


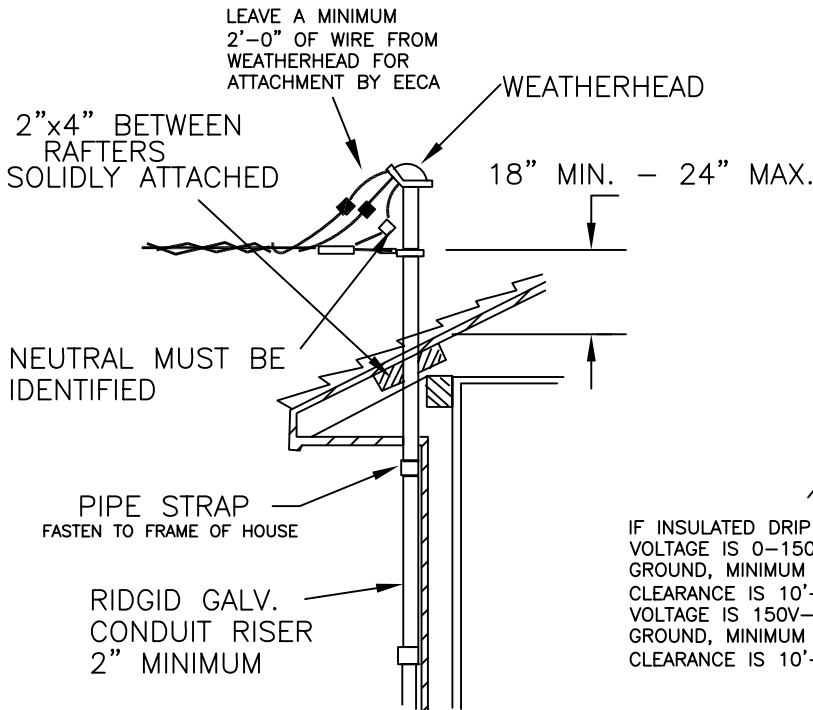
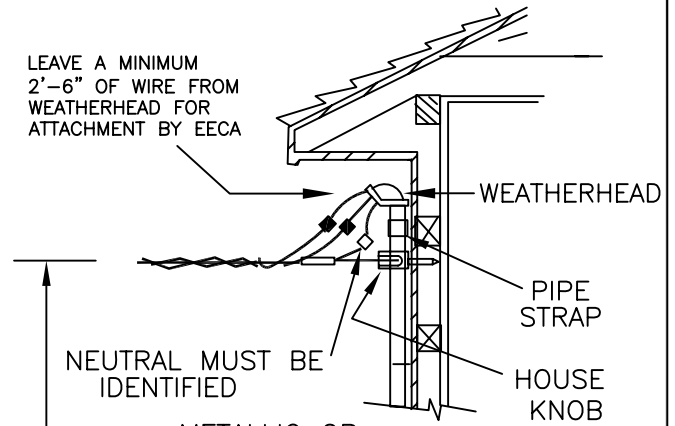
LEAVE A MINIMUM
2'-0" OF WIRE FROM
WEATHERHEAD FOR
ATTACHMENT BY EECA



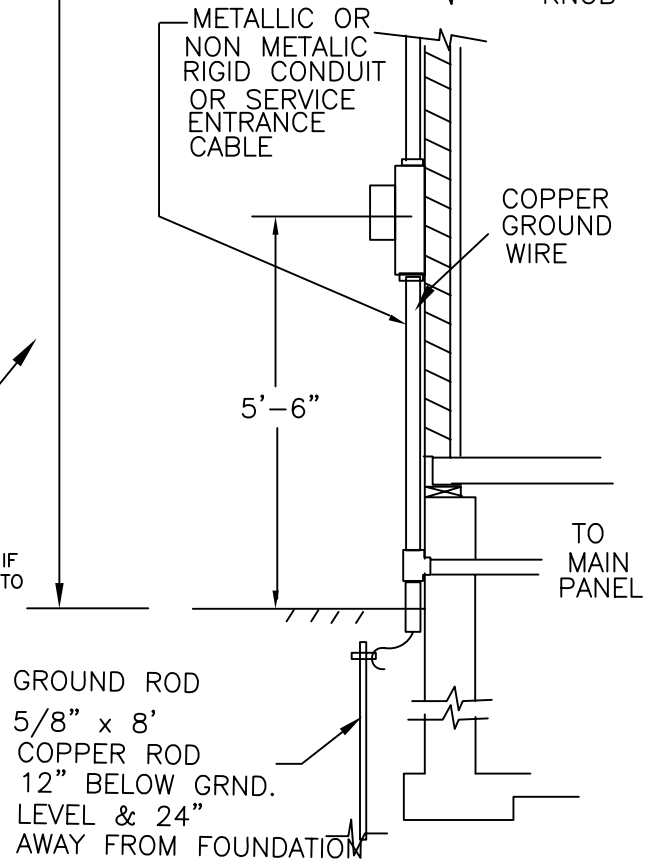
BELOW THE ROOF ATTACHMENT

NOTE: EECA RESPONSIBILITY ENDS
AT THE FINAL TERMINATION
AT THE WEATHERHEAD

LEAVE A MINIMUM
2'-6" OF WIRE FROM
WEATHERHEAD FOR
ATTACHMENT BY EECA



IF INSULATED DRIP LOOP
VOLTAGE IS 0-150V TO
GROUND, MINIMUM
CLEARANCE IS 10'-0". IF
VOLTAGE IS 150V-300V TO
GROUND, MINIMUM
CLEARANCE IS 10'-6".

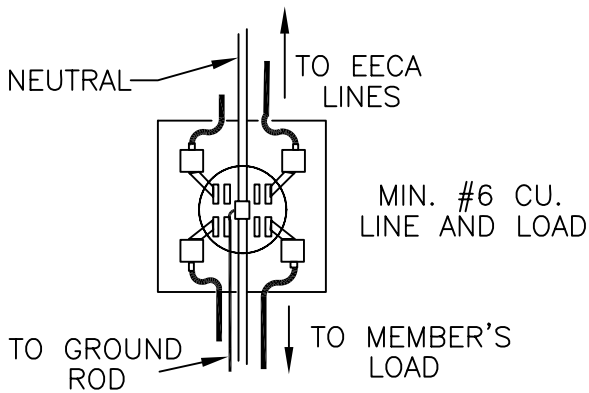


GROUND ROD
5/8" x 8'
COPPER ROD
12" BELOW GRND.
LEVEL & 24"
AWAY FROM FOUNDATION

SIDE VIEW

NOTE: ALL WIRING MUST CONFORM WITH THE
NATIONAL ELECTRIC CODE AND ALL
LOCAL CODES.

**LIMITED USE: MUST BE APPROVED
BY ENGR MGR**



METER WIRING

PERMANENT RESIDENTIAL OVERHEAD SERVICE

CONST. NO.

EGYPTIAN ELECTRIC COOPERATIVE ASSOCIATION
STEELEVILLE, ILLINOIS

SCALE NONE

DATE

SUPERSEDES

FILE NO.

DRAWN BY HERMETZ

2/04

CHECKED BY

FIGURE 3

REV#1:

APPROVED BY