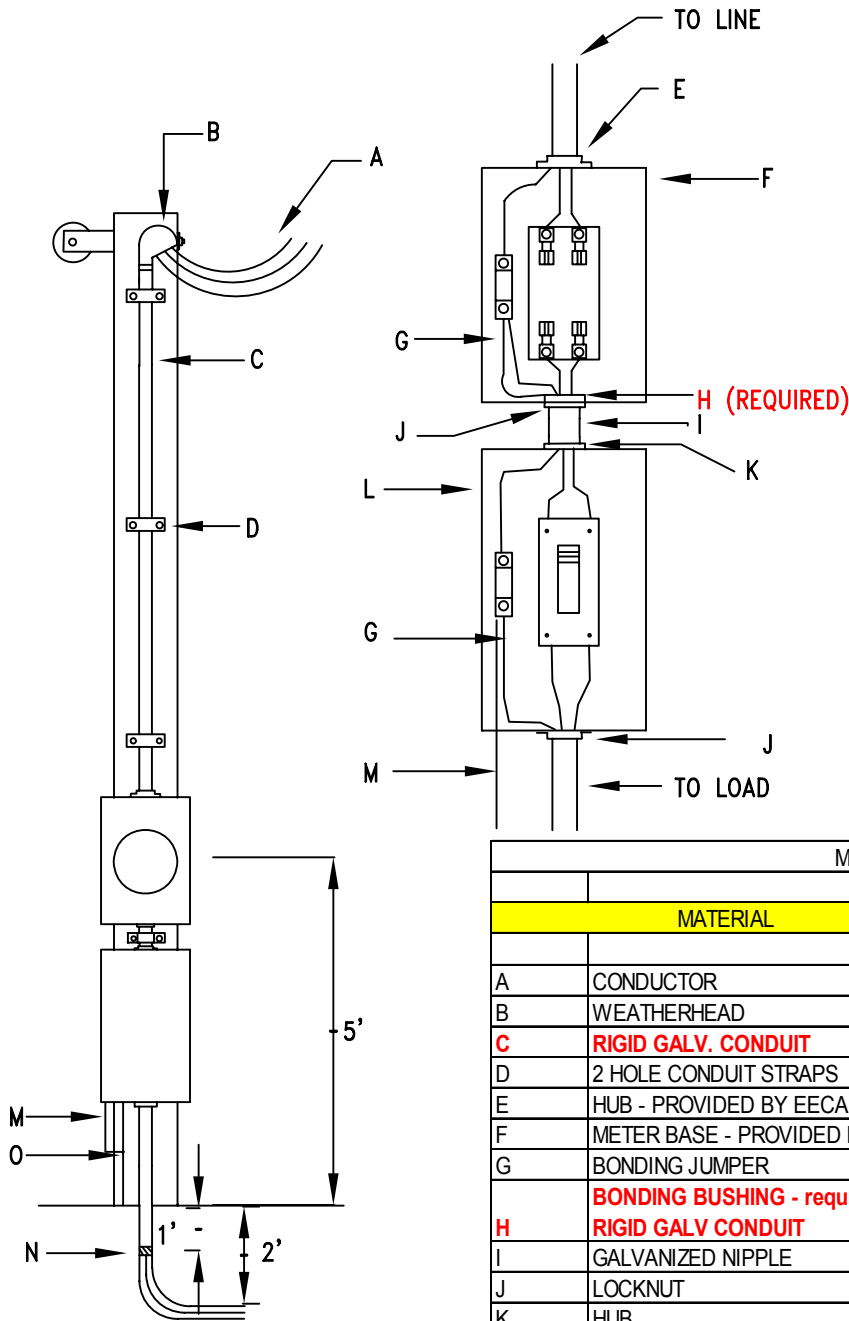


NEUTRAL MUST BE IDENTIFIED

NOTES: ALL WIRING MUST CONFORM WITH THE NATIONAL ELECTRIC CODE AND ALL LOCAL CODES.



PLEASE LEAVE 2½' EXCESS CONDUCTOR ON METER POLE APPLICATION AND 6' EXCESS CONDUCTOR ON TRANSFORMER POLE APPLICATION

METER LOOP MUST BE FULLY ASSEMBLED FROM WEATHERHEAD TO DISCONNECT AND LAYING AT JOB SITE.

PLEASE ALLOW 2' OF GROUND WIRE TO EXTEND FROM DISCONNECT ENCLOSURE. EGYPTIAN ELECTRIC WILL CONNECT METER LOOP TO POLE.

APPLICATION OF OXIDE INHIBITING COMPOUND IS REQUIRED WITH THE USE OF ALUMINUM CONDUCTORS.

ALL SHARP EDGES ON INSIDE ENDS OF CONDUIT MUST BE REAMED AND MADE SMOOTH.

FOR MOBILE HOME APPLICATIONS, A 4TH INSULATED WIRE IS REQUIRED FOR GROUNDING. FOR 100 AMP SERVICE - #8CU OR #6 AL, FOR A 200 AMP SERVICE - #6 CU OR #4 AL.

| MATERIAL LIST | | | |
|---------------|---|---|----------------|
| | MATERIAL | QUANTITY | |
| | | SINGLE PHASE | THREE PHASE |
| A | CONDUCTOR | AS NEEDED | AS NEEDED |
| B | WEATHERHEAD | 1 | 1 |
| C | RIGID GALV. CONDUIT | see note below | see note below |
| D | 2 HOLE CONDUIT STRAPS | 4 | 5 |
| E | HUB - PROVIDED BY EECA | 1 | 1 |
| F | METER BASE - PROVIDED BY EECA | 1 | 1 |
| G | BONDING JUMPER | AS NEEDED | AS NEEDED |
| H | BONDING BUSHING - required for RIGID GALV CONDUIT | 1 | 1 |
| I | GALVANIZED NIPPLE | 1 | 1 |
| J | LOCKNUT | 4 | 4 |
| K | HUB | 1 | 1 |
| L | WEATHERPROOF DISCONNECT | 1 | 1 |
| M | GROUND WIRE | AS NEEDED | AS NEEDED |
| N | CONDUIT BUSHING | 1 | 1 |
| O | COPPER CONN | amount of rigid galv. Conduit depends on pole size for 35" pole - 15 ft, for 40' pole, 20 ft required | 1 |

| CONDUCTOR SIZING | | | | |
|-------------------------------------|--------------|----------------------|---------|-----------------------|
| (NO REDUCED NEUTRAL SIZING ALLOWED) | | | | |
| SERVICE SIZE | | TYPE/SIZE CONDUCTOR | CONDUIT | SIZE GROUND CONDUCTOR |
| 100 | SINGLE PHASE | #4 CU OR #2 AL | 1 1/2" | #6 CU |
| 200 | SINGLE PHASE | 2/0 CU OR 4/0 AL | 2" | #4 CU |
| 200 | THREE PHASE | 3/0 CU or 250 MCM AL | 2 1/2" | #4 CU |

| | | | | |
|--|------------|---------|-------------|----------------------|
| METER INSTALLATION FOR ELECTRIC SERVICE | | | CONST. NO. | |
| EGYPTIAN ELECTRIC COOPERATIVE ASSOCIATION STEELEVILLE, ILLINOIS | SCALE | NONE | DATE | 2/04 |
| | DRAWN BY | HERMETZ | SUPERCEDES | |
| | SUPERCEDES | | DATE | 3 - 6/15/2007 |
| | | | REV# | 3 |
| | | | APPROVED BY | |
| | | | | FILE NO. FIGURE 4 |