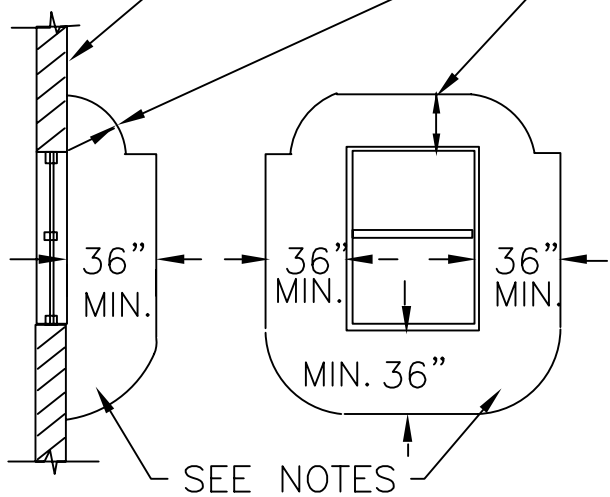


FACE OF EXTERIOR WALL

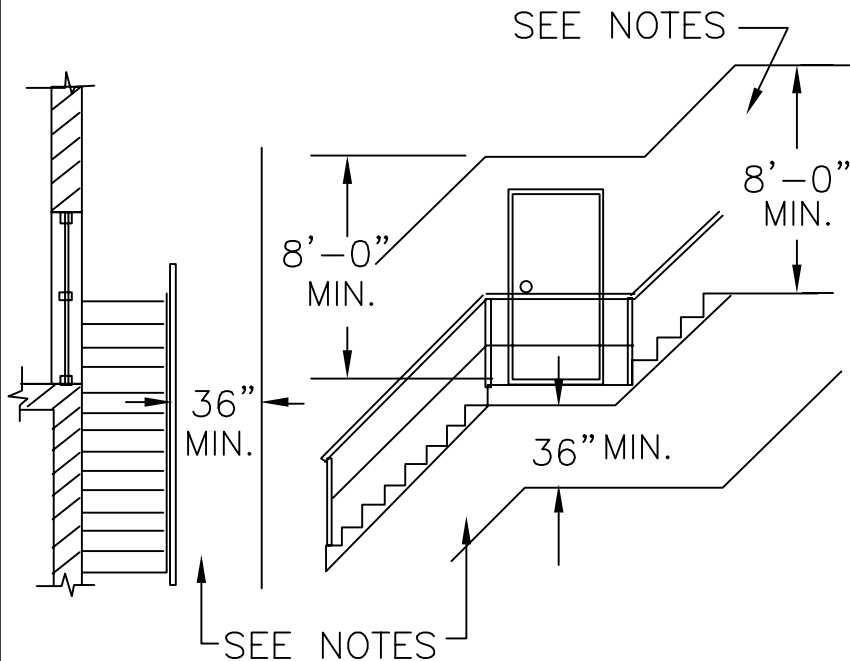
MAX. PRACTICAL RADIAL CLEARANCE UP TO 36" NOT LESS THAN 12"



SIDE VIEW

FRONT VIEW

CLEARANCE FROM WINDOWS, WALLS, PROJECTIONS, ETC.



SIDE VIEW

FRONT VIEW

CLEARANCE FROM FIRE ESCAPES PORCHES OR SIMILAR LOCATIONS

NOTE: ———— INDICATES BOUNDARY OF CLEARANCE AREA THROUGH WHICH CONDUCTORS MUST NOT PASS.

SERVICE DROP CLEARANCE REQUIREMENTS FOR WINDOWS, DOORS, FIRE ESCAPES, STAIRWAYS, BALCONIES, ETC.

HORIZONTAL BUILDING CLEARANCES 0 - 600 VOLTS

CONST. NO.

EGYPTIAN ELECTRIC COOPERATIVE ASSOCIATION
STEELEVILLE, ILLINOIS

SCALE NONE

DRAWN BY HERMETZ

REV#1:

DATE

2-04

SUPERSEDES

CHECKED BY

APPROVED BY

FILE NO.

FIGURE 11